



3001

Four-wheel dumpers: payload < 5 t



The complete package – 3001

With its three different types of skip (incl. lower dumping height), a top speed of 25 km/h, high ground clearance and excellent off-road capability the 3001 is top of the class. Simply complete and completely simple.

- Low maintenance hydrostatic four-wheel drive, maximum payload 3,000 kg, optional cab available ex-works.
- 3 types of skip: Front tipping skip (standard), swivel tipping skip (optional); skip with lower dumping height (2,200 mm)
- High ground clearance.
- Large service and maintenance access with through hinged one-piece engine hatch.
- A top speed of 25 km/h gets transport jobs done fast.



Technical specifications

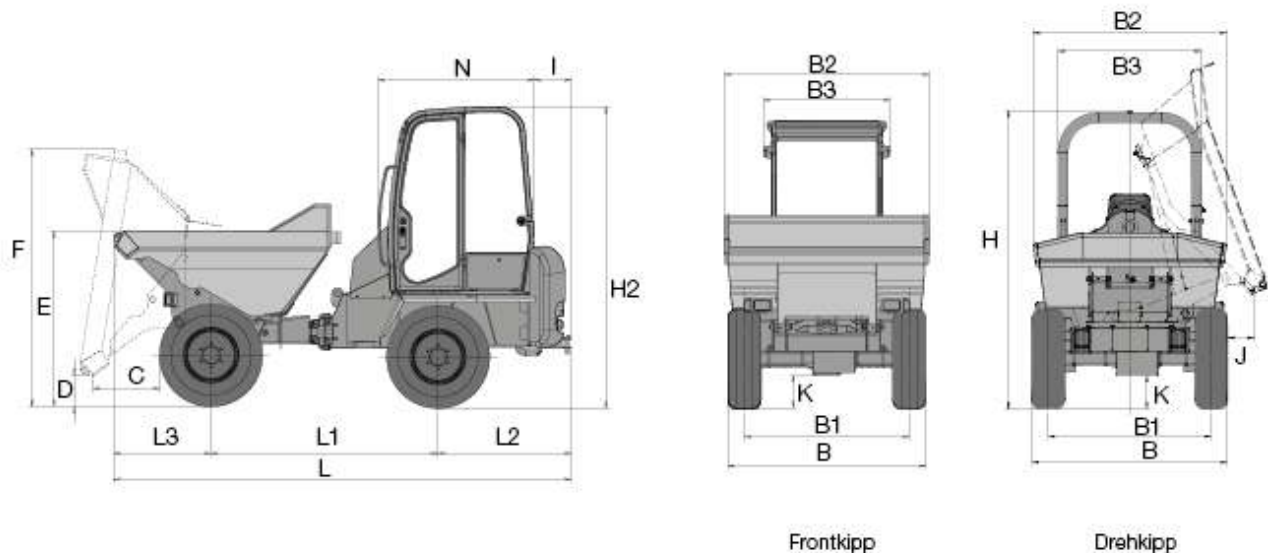
Operating data

Payload	3,000 kg
Net weight	2,530 kg
Skip capacity level	1,300 l
Skip capacity heaped	1,750 l

Engine / Motor

Engine / Motor manufacturer	Yanmar
Engine / Motor type	3TNV88
Engine / Motor	Diesel
Engine performance acc. to ISO 3046/1	24.4 kW
Displacement	1,642 cm ³
Travel speed	22 km/h
Articulation angle	37 °
Pendulum angle	15 °
Turning radius	3,650 mm
Gradeability	50 %
L x W x H	4,140 x 1,785 x 2,670 mm

Dimensions



Frontkipp

Drehkipp

B	Overall width	1,785 mm
B1	Skip width	1,860 mm
B2	Width roll-bar	1,310 mm
D	Ground clearance tipped skip	260 mm
E	Skip height angle	1,475 mm
F	Skip height top edge tipped skip	2,220 mm
G	Tip-out angle	51 °
H	Height roll-bar opened	2,670 mm
H2	Height roll-bar closed	1,870 mm
K	Ground clearance	280 mm
L	Length	3,980 mm
L1	Wheelbase	1,960 mm
L2	Rear overhang	1,160 mm



L3	Curb clearance front	860 mm
J	Distance turned skip	180 mm

Please note

that product availability can vary from country to country. It is possible that information / products may not be available in your country. More detailed information on engine power can be found in the operator's manual; the stated power may vary due to specific operating conditions.

Subject to alterations and errors excepted. Applicable also to illustrations.

Copyright © 2015 Wacker Neuson SE.