



## 4001

Four-wheel dumpers: payload < 5 t



### **The four-wheel pro – 4001.**

Shifts up to 4,000 kg payload quickly and efficiently and then dumps the load with the spot on precision of the standard swivel-tipping skip. Guaranteed to get things going on the building site.

- Low maintenance hydrostatic four-wheel drive;
- swivel tipping skip (standard), large-volume, robust and hard-wearing skip design; standard skip capacity of up to 2,550 l (heaped).
- With high ground clearance and a top speed of 21 km/h transport jobs get done fast.
- Maximum payload 4,000 kg
- More of a speedster: the 4001s Speed Version gets up to 25 km/h!



## Technical specifications

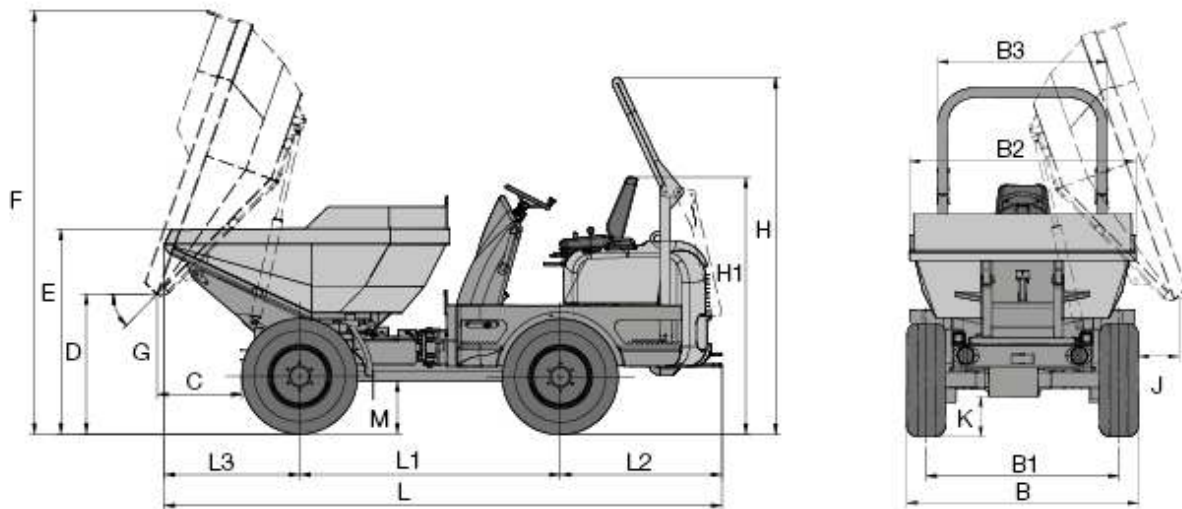
### Operating data

Payload	4,000 kg
Net weight	2,730 kg
Skip capacity level	1,650 l
Skip capacity heaped	2,250 l

### Engine / Motor

Engine / Motor manufacturer	Yanmar
Engine / Motor type	4TNV88
Engine / Motor	Diesel
Engine performance acc. to ISO 3046/1	34.1 kW
Displacement	2,189 cm <sup>3</sup>
Travel speed	21 km/h
Articulation angle	37 °
Pendulum angle	15 °
Turning radius	3,730 mm
Gradeability	50 %
L x W x H	4,195 x 1,795 x 2,700 mm

## Dimensions



B	Overall width	1,795 mm
B1	Skip width	1,740 mm
B2	Width	1,740 mm
D	Ground clearance	1,030 mm
E	Skip height	1,500 mm
F	Skip height	3,200 mm
G	Tip-out angle	46 °
H	Height	2,700 mm
H1	Height	1,930 mm
K	Ground clearance	300 mm
L	Length	4,200 mm
L1	Wheelbase	1,960 mm
L2	Rear overhang	1,215 mm



L3	Curb clearance	1,025 mm
J	Distance	270 mm

**Please note**

that product availability can vary from country to country. It is possible that information / products may not be available in your country. More detailed information on engine power can be found in the operator's manual; the stated power may vary due to specific operating conditions.

Subject to alterations and errors excepted. Applicable also to illustrations.

Copyright © 2015 Wacker Neuson SE.