



50Z3

Compact Excavators Zerotail < 6 t



50Z3 – Watches your back for you.

The Wacker Neuson Zero Tails feel at home where other machines get into a tight spot. The compact zero tails inspire with their power, agility and superior comfort, thanks to their side-mounted engine and tail-end tanks.

- No tail swing and compact dimensions with laterally positioned engine and the valve control block, fuel tank and hydraulics oil tank in the rear.
- Spacious driver's cab with large door: Everything is designed for optimum practical advantage and working conditions.
- Comprehensive standard equipment and various individual options for additional facilities.
- Generously dimensioned service access.
- Optional Vertical Digging System (VDS): It enables progressive tilting of the superstructure by up to 15° to compensate for slopes up to 27%.



Technical specifications

Operating data

Shipping weight min.	4,905 kg
Operating weight min.	5,280 kg
Biting force max.	27.71 kN
Breakaway force max.	3,806 daN
Digging depth	3,500 mm
Dumping height max.	3,680 mm
Digging radius	5,985 mm
L x W x H	5,500 x 1,990 x 2,570 mm

Engine / Motor

Engine / Motor manufacturer	Yanmar
Engine / Motor type	4TNV88
Engine / Motor	Water-cooled 4-cylinder diesel engine EPA III
Displacement	2,189 cm ³
RPM / speed	2,400 rpm
Engine performance acc. to ISO	28.1 kW
Battery	88 Ah
Tank capacity	83 l

Hydraulic system

Duty pump	Double variable- & two-gear pump
Flow rate	167.1 l/min
Operating pressure for working and traction hydraulics	240 bar
Operating pressure Slewing gear	215 bar
Hydraulic oil tank	80 l

Wheel set

Travel speed max.	4.6 km/h
Gradeability	58 %
Chain width	400 mm
Ground clearance	305 mm



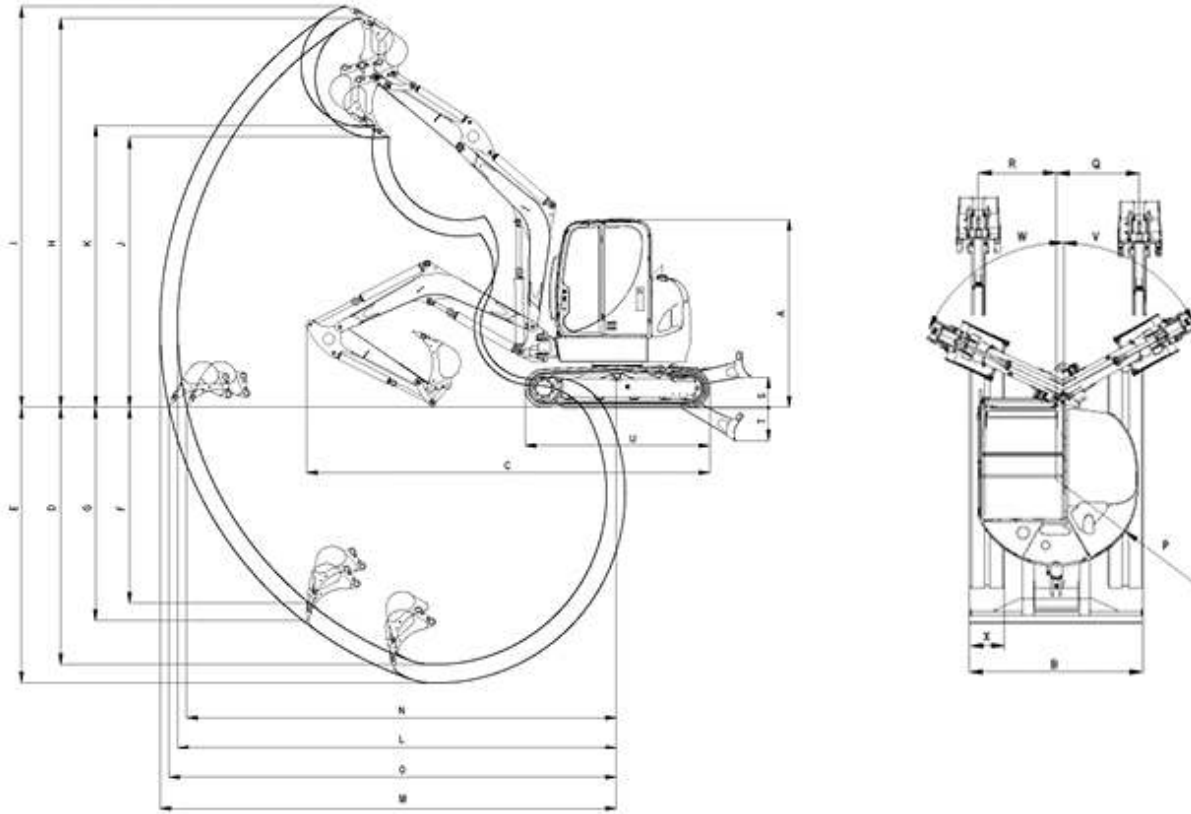
Dozer Blade

Width	1,990 mm
Height	380 mm
Stroke Above ground	415 mm
Stroke Below ground	455 mm

Sound level

Sound level (LwA) acc. to 2000/14/EC	96 dB(A)
Cabin - specified sound pressure level LpA acc. to ISO 6394	77 dB(A)

Dimensions



A	Height	2,570 mm
B	Width	1,990 mm
C	Transport length	5,500 mm
D	Digging depth Max. (short dipperstick)	3,500 mm
E	Digging depth Max. (long dipperstick)	3,750 mm
F	Insertion depth Max. vertical (short dipperstick)	2,670 mm
G	Insertion depth Max. vertical (long dipperstick)	2,885 mm
H	Insertion height Max. (short dipperstick)	5,300 mm
I	Insertion height Max. (long dipperstick)	5,460 mm
J	Dumping height Max. (short dipperstick)	3,680 mm
K	Dumping height Max. (long dipperstick)	3,840 mm
L	Digging radius Max. (short dipperstick)	5,985 mm
M	Digging radius Max. (long dipperstick)	6,225 mm



N	Range on the ground (short dipperstick)	5,860 mm
O	Range on the ground (long dipperstick)	6,105 mm
P	Rear swivel radius Min.	995 mm
Q	Arm displacement Max. to middle of bucket right side	960 mm
R	Arm displacement Max. to middle of bucket left side	895 mm
S	Lift height Max. levelling blade above formation	415 mm
T	Scraping depth Max. of levelling blade below formation	455 mm
U	Length of running gear	2,500 mm
V	Turning angle Max. arm system to the right	61 °
W	Turning angle Max. arm system to the left	65 °
X	Width	400 mm

Please note

that product availability can vary from country to country. It is possible that information / products may not be available in your country. More detailed information on engine power can be found in the operator's manual; the stated power may vary due to specific operating conditions.

Subject to alterations and errors excepted. Applicable also to illustrations.

Copyright © 2015 Wacker Neuson SE.