



DT05

Track dumpers: payload < 1 t



The space saving miracle. DT05.

Wacker Neuson's track dumper DT05 can be maneuvered on any surface with centimeter-accuracy, thanks to its compact dimensions and precision control. It really comes into its own where space is very tight and agility is a must.

- The hydrostatic drive enables easy and comfortable operation.
- Powerful engines (gasoline or diesel); 2-stage speed adjustment.
- Robust crawler design guarantees long service life with low wear and tear.
- Optimal ratio between low net weight and maximum payload.
- Ultra-compact dimensions (66 cm), ideal for working in confined spaces and making its way through standard doors; high ground clearance. Optional high-tipping skip available.



Technical specifications

Operating data

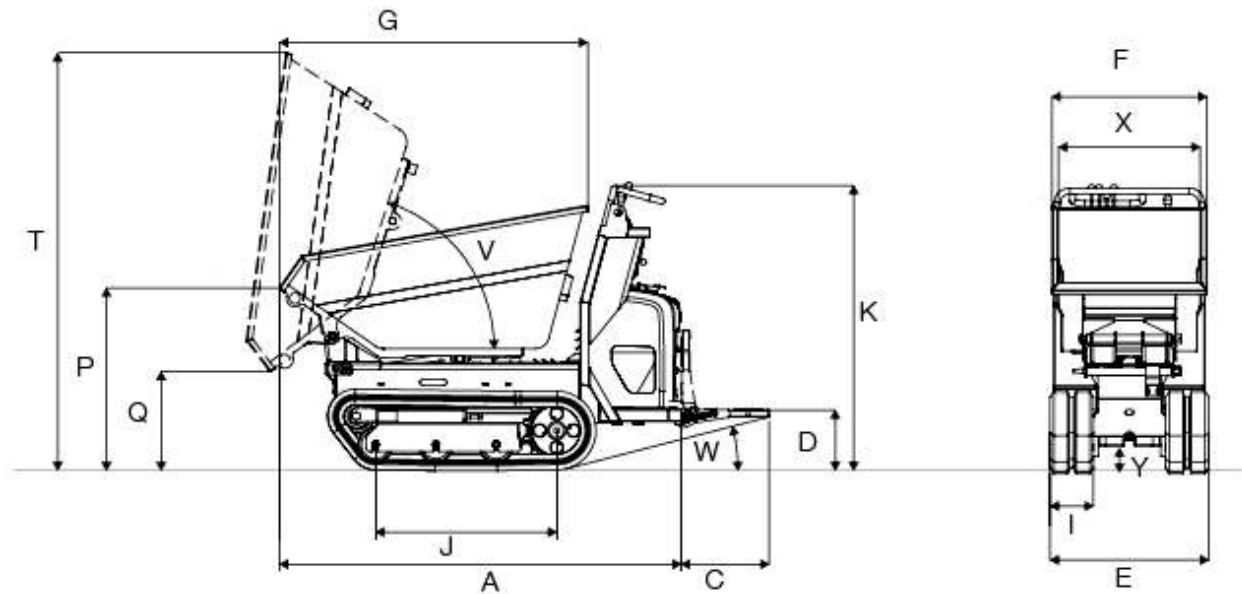
Shipping weight Gasoline	370 kg
Shipping weight Diesel	405 kg
Payload max.	500 kg
Skip capacity level	273 l
Skip capacity heaped*	313 l
L x W x H *	1,630 x 660 x 1,185 mm

Engine / Motor

Engine performance Gasoline	4.5 kW
Engine performance Diesel	4.9 kW
at rpm	3,600 rpm
Travel speed 2, gasoline	3.9 km/h
Travel speed 2, diesel	5.2 km/h
Gradeability	30 %

* Model with front-tipping skip

Dimensions



A	Length (without running board)	1,670 mm
C	Length of running board	365 mm
D	Height over running board	252 mm
E	Width Undercarriage	660 mm
F	Skip width	589 mm
G	Skip length	1,280 mm
I	Chain width Track	180 mm
J	Length Track	753 mm
K	Height over control console	1,185 mm
P	Height of skip front edge	760 mm
Q	Dumping height	410 mm
T	Height Max., skip raised	1,735 mm
V	Tip-out angle Skip dumping	72 °



W	Reverse roll angle Running board retraction	15 °
X	Width Control console	446 mm
Y	Ground clearance	110 mm

Please note

that product availability can vary from country to country. It is possible that information / products may not be available in your country. More detailed information on engine power can be found in the operator's manual; the stated power may vary due to specific operating conditions.

Subject to alterations and errors excepted. Applicable also to illustrations.

Copyright © 2015 Wacker Neuson SE.