



DT08

Track dumpers: payload < 1 t



The rental fleet pro: DT08.

Wacker Neuson's track dumper DT08 can be maneuvered on any surface with centimeter-accuracy, thanks to its compact dimensions and precision control. Its 800 kg payload and width of only 79 cm make the DT08 the ideal addition to any rental fleet.

- The hydrostatic drive enables easy and comfortable operation; powerful engines (gasoline or diesel).
- Robust crawler design guarantees long service life with low wear and tear.
- Optimal ratio between low net weight and maximum payload.
- Compact dimensions (79 cm), ideal for working in confined spaces and making its way through standard doors; high ground clearance.
- The rubber track and the optimum weight distribution reduce the ground pressure and prevent damage to delicate surfaces. The tailor-made cooling system guarantees safe operation of the machine in high-temperature conditions.



Technical specifications

Operating data

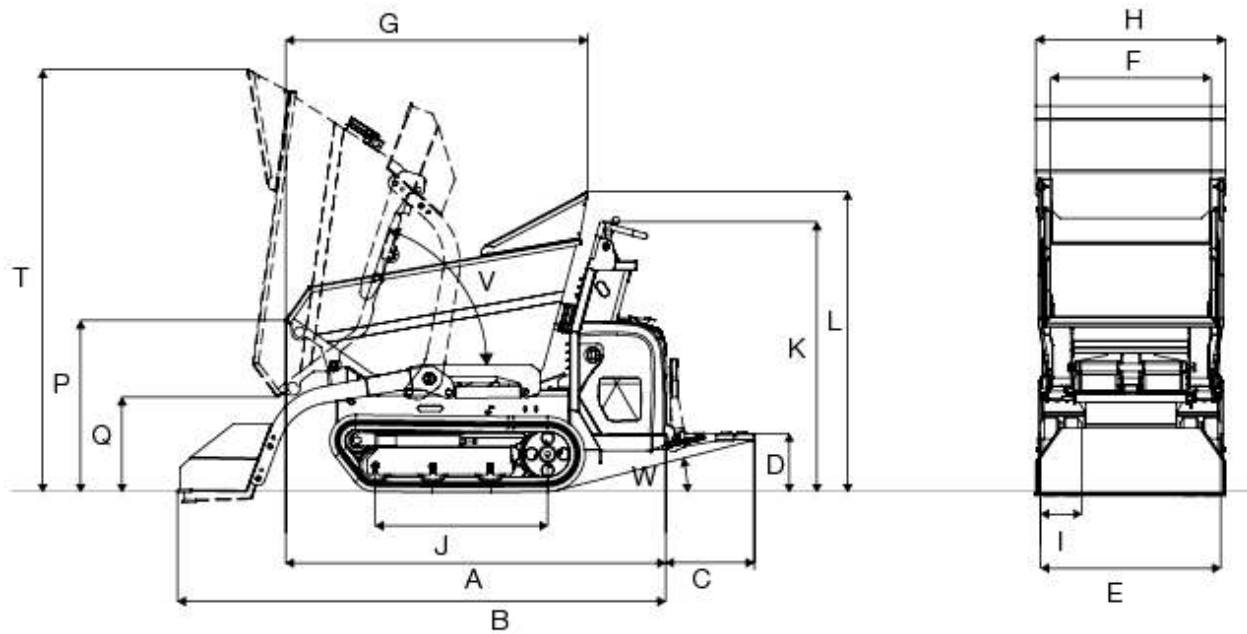
Shipping weight Gasoline	460 kg
Shipping weight Diesel	510 kg
Payload max.	800 kg
Skip capacity level	334 l
Skip capacity heaped*	387 l
L x W x H *	1,660 x 790 x 1,203 mm

Engine / Motor

Engine performance Gasoline	6.8 kW
Engine performance Diesel	7.4 kW
at rpm	3,600 rpm
Travel speed max.	4.2 km/h
Gradeability	30 %

* Model with front-tipping skip

Dimensions



A	Length (without running board)	1,660 mm
B	Length with self-loading equipment (without running board)	2,132 mm
C	Length of running board	388 mm
D	Height over running board	235 mm
E	Width Undercarriage	790 mm
F	Skip width	700 mm
G	Skip length	1,320 mm
H	Width with self-loading equipment	830 mm
I	Chain width Track	180 mm
J	Length Track	753 mm
K	Height over control console	1,240 mm
L	Height over skip hand protector	1,313 mm
P	Height of skip front edge	750 mm



Q	Dumping height	420 mm
T	Height Max., skip raised	1,845 mm
V	Tip-out angle Skip dumping	72 °
W	Reverse roll angle Running board retraction	14 °

Please note

that product availability can vary from country to country. It is possible that information / products may not be available in your country. More detailed information on engine power can be found in the operator's manual; the stated power may vary due to specific operating conditions.

Subject to alterations and errors excepted. Applicable also to illustrations.

Copyright © 2015 Wacker Neuson SE.