



DT10

Track dumpers: payload < 1 t



Your professional equipment: DT10.

The crawler-mounted dumper DT10 from Wacker Neuson guarantees absolutely safe and comfortable driving thanks to a high level of stability and running smoothness. Also for overcoming curbs, this equipment is your best partner in tight spaces.

- Easy and convenient operation thanks to the fully-hydrostatic drive.
- Robust crawler design, guaranteeing durability and low wear and tear.
- Single-piece engine hood and optimized layout of the servicing points facilitate daily maintenance.
- The rubber chains and the optimum weight distribution reduce the ground pressure and prevent damage to fragile surfaces.
- Ultra-compact dimensions ideal for tight working conditions and passages; large ground clearance.



Technical specifications

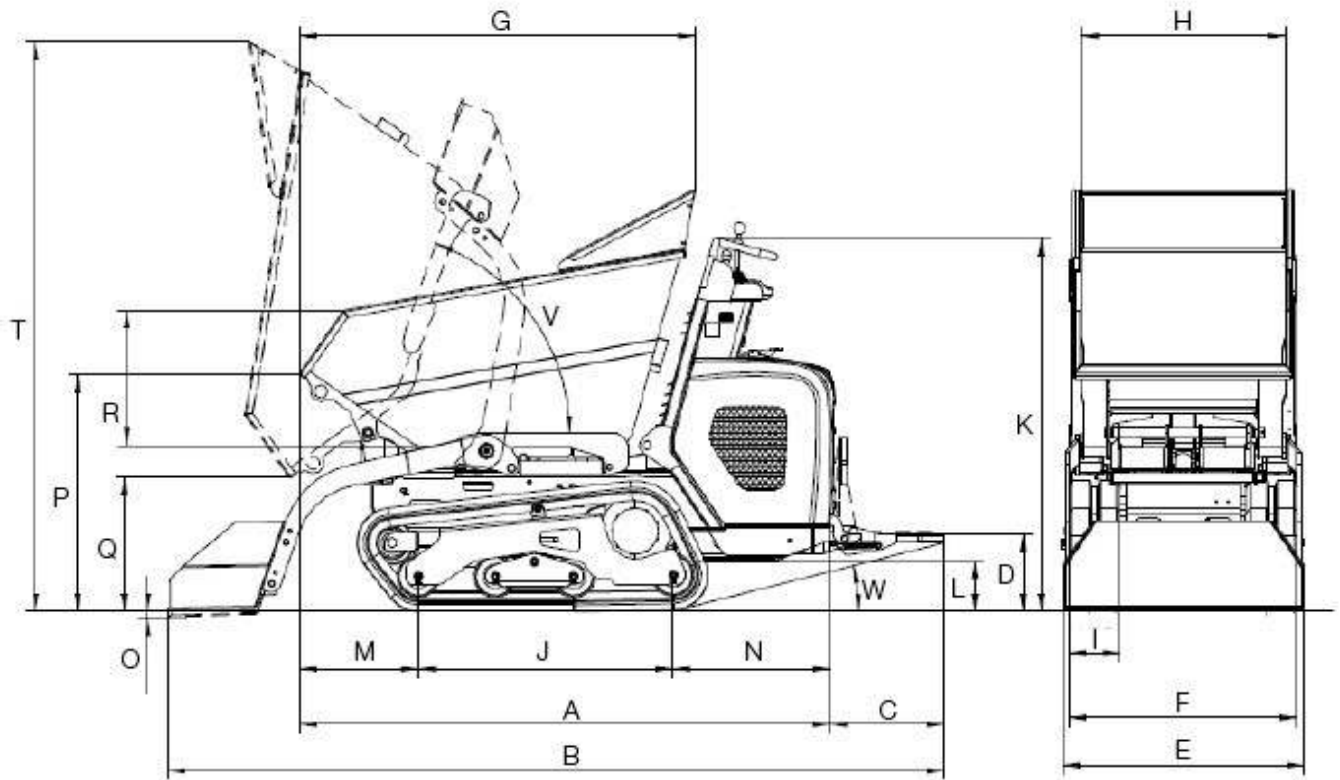
Operating data

Shipping weight Diesel, front tip, SLE	680 kg
Payload max.	1,000 kg
Skip capacity heaped	427 l
L x W x H Diesel, front tip, SLE	2,670 x 830 x 1,280 mm

Engine / Motor

Engine performance Diesel	9.6 kW
at rpm	3,600 rpm
Travel speed	4 km/h
Gradeability	36 %

Dimensions



A	Length (without running board)	1,823 mm
B	Length with SLE (with running board)	2,670 mm
C	Length Running board	393 mm
D	Height above running board	265 mm
F	Width Undercarriage	790 mm
H	Skip width	700 mm
G	Skip length	1,357 mm
E	Width with SLE	830 mm
I	Chain width	180 mm
J	Length Track rise	875 mm
K	Height above control station	1,280 mm
P	Height Front edge of the bucket	812 mm
Q	Height Front edge of the bucket, tipped	460 mm



T	Height Max., bucket lifted	1,950 mm
R	Height Mulde	466 mm
V	Tip-out angle SLE	70 °
W	Reverse roll angle Running board	14 °
L	Ground clearance	172 mm

Please note

that product availability can vary from country to country. It is possible that information / products may not be available in your country. More detailed information on engine power can be found in the operator's manual; the stated power may vary due to specific operating conditions. Subject to alterations and errors excepted. Applicable also to illustrations.
Copyright © 2015 Wacker Neuson SE.