



DT12

Track dumpers: payload 1-3 t



Looking good anywhere: DT12

The track dumper DT 12 is the ideal transporter on all types of soil, such as gravel or sand, as well as boggy or hilly terrain. The tailor-made cooling system guarantees safe operation of the machine in high-temperature conditions.

- The hydrostatic drive enables easy and comfortable operation.
- Robust crawler design guarantees long service life with low wear and tear.
- The one-piece engine hatch and optimal configuration of the service points make daily maintenance easy.
- The rubber tracks and optimum weight distribution reduce the ground pressure and prevent damage to delicate surfaces.
- Optional self-loading system and high-tipping skip available.



Technical specifications

Operating data

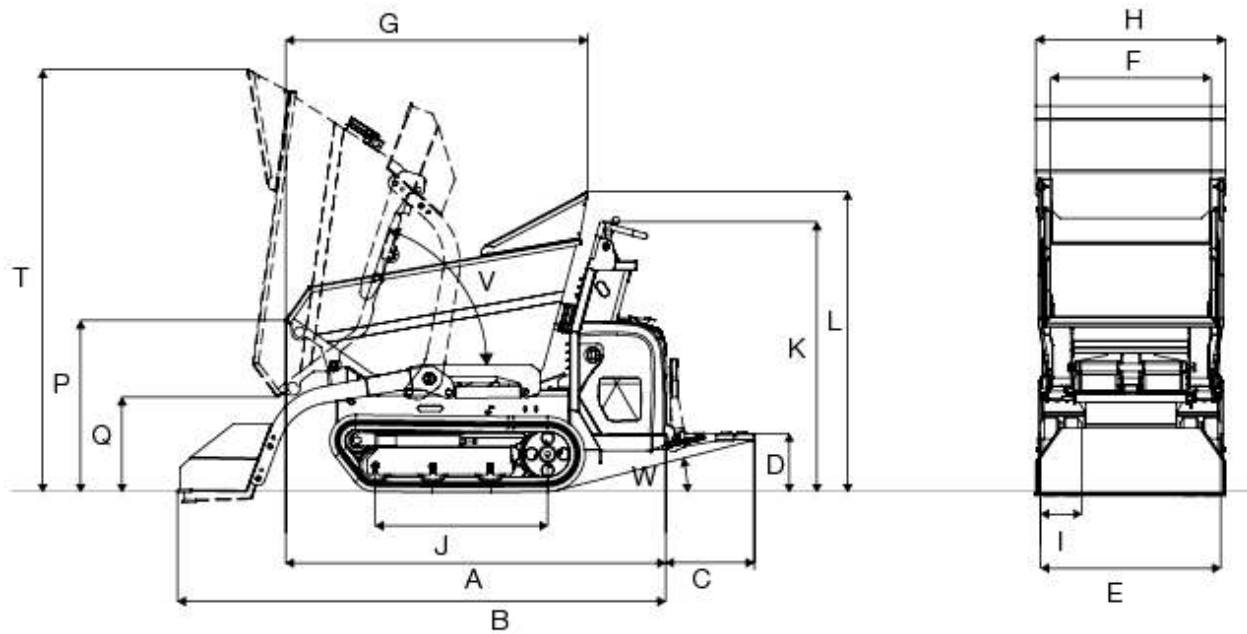
Shipping weight Diesel	650 kg
Payload max.	1,200 kg
Skip capacity level	393 l
Skip capacity heaped*	440 l
L x W x H	1,823 x 790 x 1,303 mm

Engine / Motor

Engine performance Diesel	11 kW
at rpm	3,200 rpm
Travel speed Diesel	4 km/h
Gradeability	62 %

* Model with front-tipping skip

Dimensions



A	Length (without running board)	1,823 mm
B	Length with self-loading equipment (without running board)	2,277 mm
C	Length of running board	393 mm
D	Height over running board	265 mm
E	Width Undercarriage	790 mm
F	Skip width	700 mm
G	Skip length	1,357 mm
H	Width with self-loading equipment	830 mm
I	Chain width Track	180 mm
J	Length Track	875 mm
K	Height over control console	1,280 mm
L	Height over skip hand protector	1,303 mm
P	Height of skip front edge	812 mm



Q	Dumping height	460 mm
T	Height Max., skip raised	1,950 mm
V	Tip-out angle Skip dumping	70 °
W	Reverse roll angle Running board retraction	14 °

Please note

that product availability can vary from country to country. It is possible that information / products may not be available in your country. More detailed information on engine power can be found in the operator's manual; the stated power may vary due to specific operating conditions.

Subject to alterations and errors excepted. Applicable also to illustrations.

Copyright © 2015 Wacker Neuson SE.