



## **DT15**

Track dumpers: payload 1-3 t



### **Maximum power: DT15**

The track dumper DT 15 is the ideal transporter on all types of soil, such as gravel or sand, as well as boggy or hilly terrain. The one-piece engine hatch and optimal configuration of the service points make daily maintenance easy.

- The hydrostatic drive enables easy and comfortable operation.
- Folding ROPS roll bar for passageways with low-headroom.
- Low center of gravity for increased stability and guaranteed gradeability up to 62%.
- Auxiliary hydraulics as standard for additional attachments, such as concrete mixers, breakers etc.
- A variety of robust and stable hydraulic tipping skips and other attachments are available, for instance a front-tipping skip, a high-tipping skip, a 3-way side-tipping platform or a hydraulic high-volume concrete mixer.



## Technical specifications

### Operating data

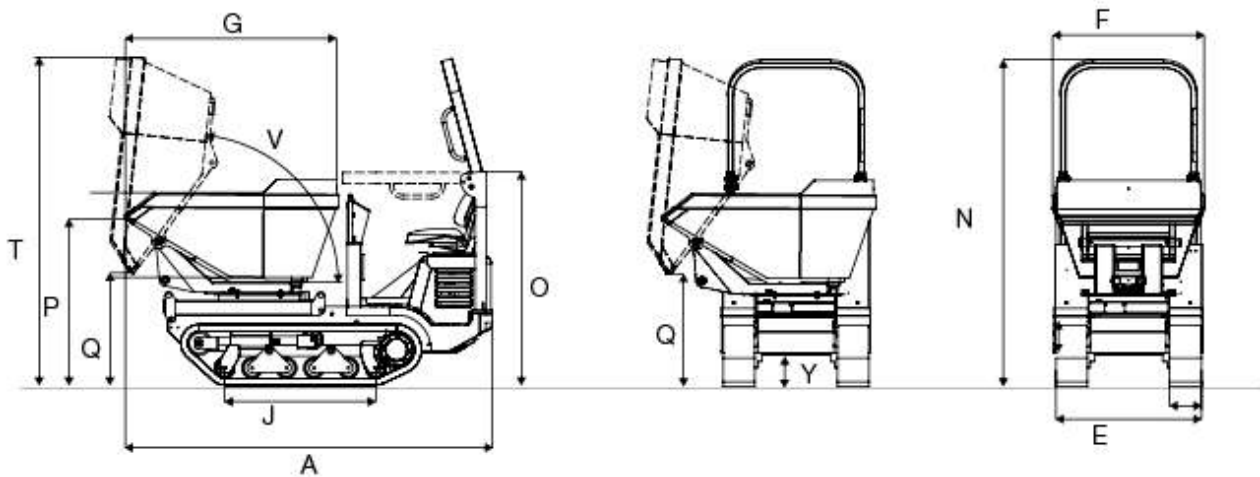
Shipping weight Diesel	1,040 kg
Payload max.	1,500 kg
Skip capacity level	632 l
Skip capacity heaped*	760 l
L x W x H	2,674 x 1,102 x 2,372 mm

### Engine / Motor

Engine performance Diesel	15 kW
at rpm	3,200 rpm
Travel speed Diesel	7.5 km/h
Gradeability	62 %

\* Model with front-tipping skip

## Dimensions



A	Length (without running board)	2,674 mm
E	Width Undercarriage	1,080 mm
F	Skip width	1,102 mm
G	Skip length	1,537 mm
I	Chain width Track	230 mm
J	Length Track	1,100 mm
N	Height over ROPS rollbar	2,372 mm
O	Height over ROPS rollbar (collapsed)	2,022 mm
P	Height of skip front edge	1,210 mm
Q	Dumping height	810 mm
T	Height Max., skip raised	2,380 mm
V	Tip-out angle Skip dumping	84 °
Y	Ground clearance	224 mm



**WACKER  
NEUSON**

**Please note**

that product availability can vary from country to country. It is possible that information / products may not be available in your country. More detailed information on engine power can be found in the operator's manual; the stated power may vary due to specific operating conditions.

Subject to alterations and errors excepted. Applicable also to illustrations.

Copyright © 2015 Wacker Neuson SE.