



## ET24

Compact Excavators < 6 t



### ET24 – The evolution of your working world.

Wacker Neuson sets new standards for compact excavators with its new generation of models in the 1.7 through 2.4 t class. Tried and tested innovations are retained and combined with completely new development approaches. The result: A comprehensively renewed machine class right down to the finest details, which promises greater efficiency and performance.

- Innovative, newly designed cab: The redeveloped cab of the ET range sets new standards in terms of clear layout, safety and user comfort with its completely redesigned interior.
- Powerful and efficient performance: The big diesel engines and new, innovative hydraulic system set new standards of operation.
- Maximum connection facilities with up to 4 auxiliary control circuits: Up to 4 additional control circuit options are available ex-works for all models of the ET range.
- Every ET model has its own, optimized undercarriage to guarantee maximum stability and superior drive characteristics in tough everyday conditions.
- Every ET model has its own, optimized boom system with different dipper stick lengths: Thanks to the strong boom system with a choice of two optional dipper stick lengths, every machine achieves maximum digging strength and excavation values.



## Technical specifications

### Operating data

Shipping weight min.	2,065 kg
Operating weight min.	2,210 kg
Biting force max., acc. to ISO 6015	15.62 kN
Breakaway force max., acc. to ISO 6015	2,196 daN
Digging depth	2,420 mm
Dumping height max.	2,750 mm
Digging radius	4,150 mm
L x W x H min.	4,030 x 1,400 x 2,390 mm

### Engine / Motor

Engine / Motor manufacturer	Yanmar
Engine / Motor type	3TNV76
Engine / Motor	Water-cooled 3-cylinder diesel engine
Displacement	1,116 cm <sup>3</sup>
RPM / speed	2,200 rpm
Engine performance acc. to ISO	13.4 kW
Battery Voltage	44 Ah
Tank capacity	24 l

### Hydraulic system

Duty pump	Double variable pump with 2 gear pumps
Flow rate max.	78 l/min
Operating pressure for working and traction hydraulics	240 bar
Operating pressure Slewing gear	150 bar
RPM / speed Superstructure	10 rpm
Hydraulic oil tank Contents	19 l

### Wheel set

Travel speed max.	4 km/h
Gradeability max.	58 %
Chain width	250 mm



Ground clearance	295 mm
------------------	--------

Dozer Blade

Width	1,400 mm
-------	----------

Height	300 mm
--------	--------

Stroke Standard dozer blade above ground	300 mm
--	--------

Stroke Standard dozer blade below ground	340 mm
--	--------

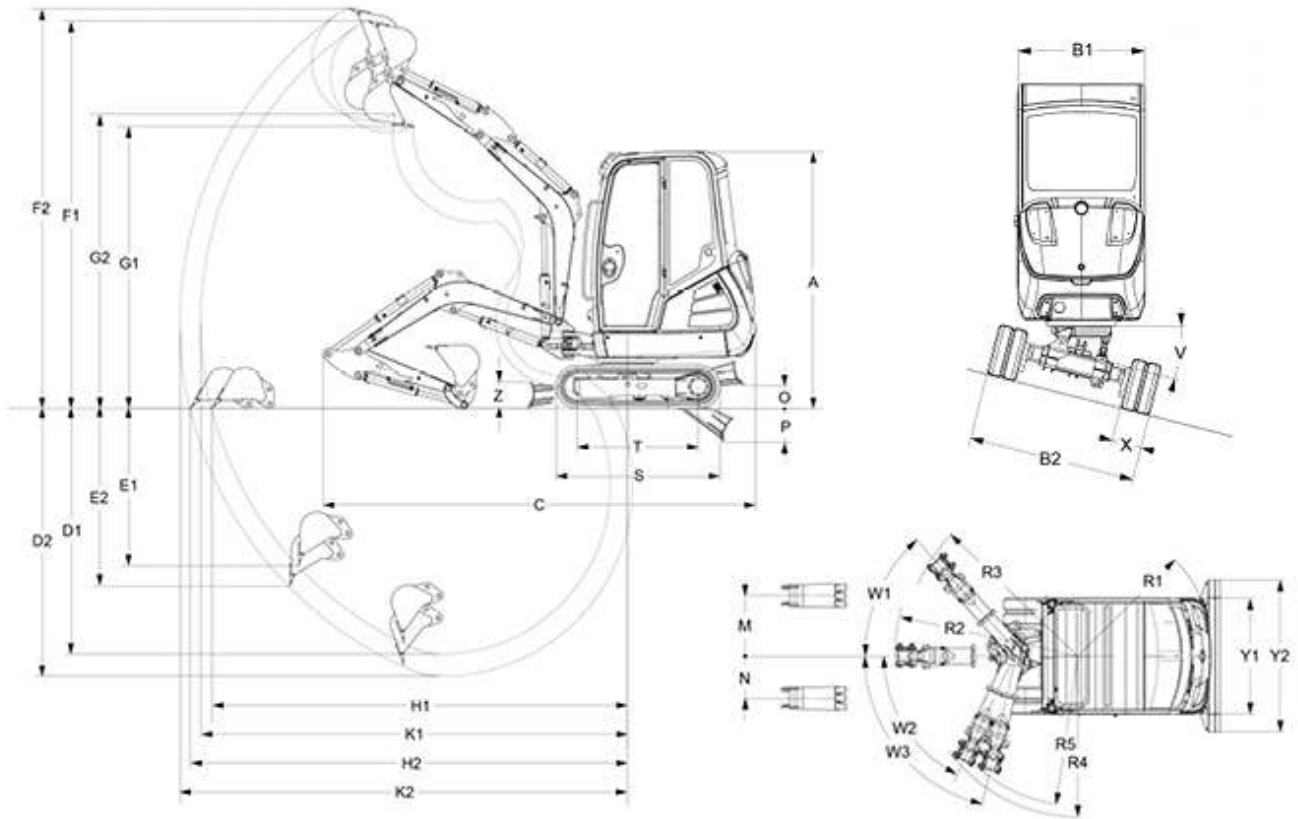
Sound level

Sound level (LwA) acc. to 2000/14/EC	93 dB(A)
--------------------------------------	----------

Cabin - specified sound pressure level LpA acc. to ISO 6394	76 dB(A)
---	----------



**Dimensions**



A	Height	2,390 mm
B1	Width Superstructure	990 mm
B2	Width undercarriage retracted	990 mm
B2	Width undercarriage extended (telescopic undercarriage only)	1,400 mm
C	Transport length	4,030 mm
D1	Digging depth Max. (short dipper stick)	2,500 mm
D2	Digging depth Max. (long dipper stick)	2,700 mm
E1	Insertion depth Max. , vertikal (short dipper stick)	1,660 mm
E2	Insertion depth Max., vertikal (long dipper stick)	1,850 mm
F1	Insertion height Max. (short dipper stick)	3,960 mm
F2	Insertion height Max. (long dipper stick)	4,080 mm
G1	Dumping height Max. (short dipper stick)	2,750 mm
G2	Dumping height Max. (long dipper stick)	2,870 mm



K1	Digging radius Max. (short dipper stick)	4,150 mm
K2	Digging radius Max. (long dipper stick)	4,340 mm
H1	Range Max. ,on the ground (short dipper stick)	4,025 mm
H2	Range Max.,on the ground (long dipper stick)	4,220 mm
R1	Rear swivel radius Min.	1,160 mm
M	Arm displacement Max. , to centre of bucket, right side	520 mm
N	Arm displacement Max. , to centre of bucket, left side	360 mm
O	Lift height Max., of dozer blade above ground (short)	300 mm
P	Scraping depth Max., of dozer blade below ground (short)	340 mm
R2	Boom slewing radius centre	1,660 mm
R3	Boom slewing radius right	1,580 mm
R4	Boom slewing radius left lock	1,450 mm
R5	Boom slewing radius left max.	1,350 mm
S	Length Total crawler length (standard undercarriage)	1,840 mm
T	Length Crawler length Sprocket wheel (standard undercarriage)	1,385 mm
W1	Turning angle Max. of boom system to the right	48 °
W2	Turning angle Max. of boom system to the left lock	64 °
W3	Turning angle Max. of boom system to the left	77 °
X	Chain width	250 mm
Y1	Width Dozer blade	1,400 mm
Z	Height Dozer blade	300 mm

**Please note**

that product availability can vary from country to country. It is possible that information / products may not be available in your country. More detailed information on engine power can be found in the operator's manual; the stated power may vary due to specific operating conditions.

Subject to alterations and errors excepted. Applicable also to illustrations.

Copyright © 2015 Wacker Neuson SE.