



EZ28

Compact Excavators Zerotail < 6 t



The design for champions: EZ28

The EZ28 compact excavator combines the advantages of a zero tail excavator with a well-designed cabin. An innovative front window mechanism for easy ventilation, joystick support, wide cabin entry as well as the arrangement of operating and display elements of the EZ28 are ergonomically and perfectly adapted to the needs of your workplace.

- The re-designed cabin of the EZ28 is ergonomical and spacious.
- The innovative opening system for the front window enables easy ventilation and communication.
- The new modular control lever supports: Everything is within reach here and is clearly arranged.
- Zero tail swing for working in tight and confined spaces.
- Optional Vertical Digging System (VDS) and EASY LOCK.



Technical specifications

Operating data

Shipping weight min.	2,575 kg
Operating weight min.	2,735 kg
Biting force max.	16.61 kN
Breakaway force max.	2,766 daN
Digging depth	2,544 mm
Dumping height max.	2,840 mm
Digging radius	4,613 mm
L x W x H	4,255 x 1,570 x 2,408 mm

Engine / Motor

Engine / Motor manufacturer	Yanmar
Engine / Motor type	3TNV76
Engine / Motor	Water-cooled 3-cylinder diesel engine
Displacement	1,115 cm ³
RPM / speed	2,500 rpm
Engine performance output to ISO	15.2 kW
Battery	44 Ah
Tank capacity	35.2 l

Hydraulic system

Duty pump	Double variable- & two-gear pump
Flow rate	89.4 l/min
Operating pressure for working and traction hydraulics	225 bar
Operating pressure Slewing gear	206 bar
Hydraulic oil tank	26.5 l

Wheel set

Travel speed max.	3.8 km/h
Gradeability	58 %
Chain width	300 mm
Ground clearance	277 mm



Dozer Blade

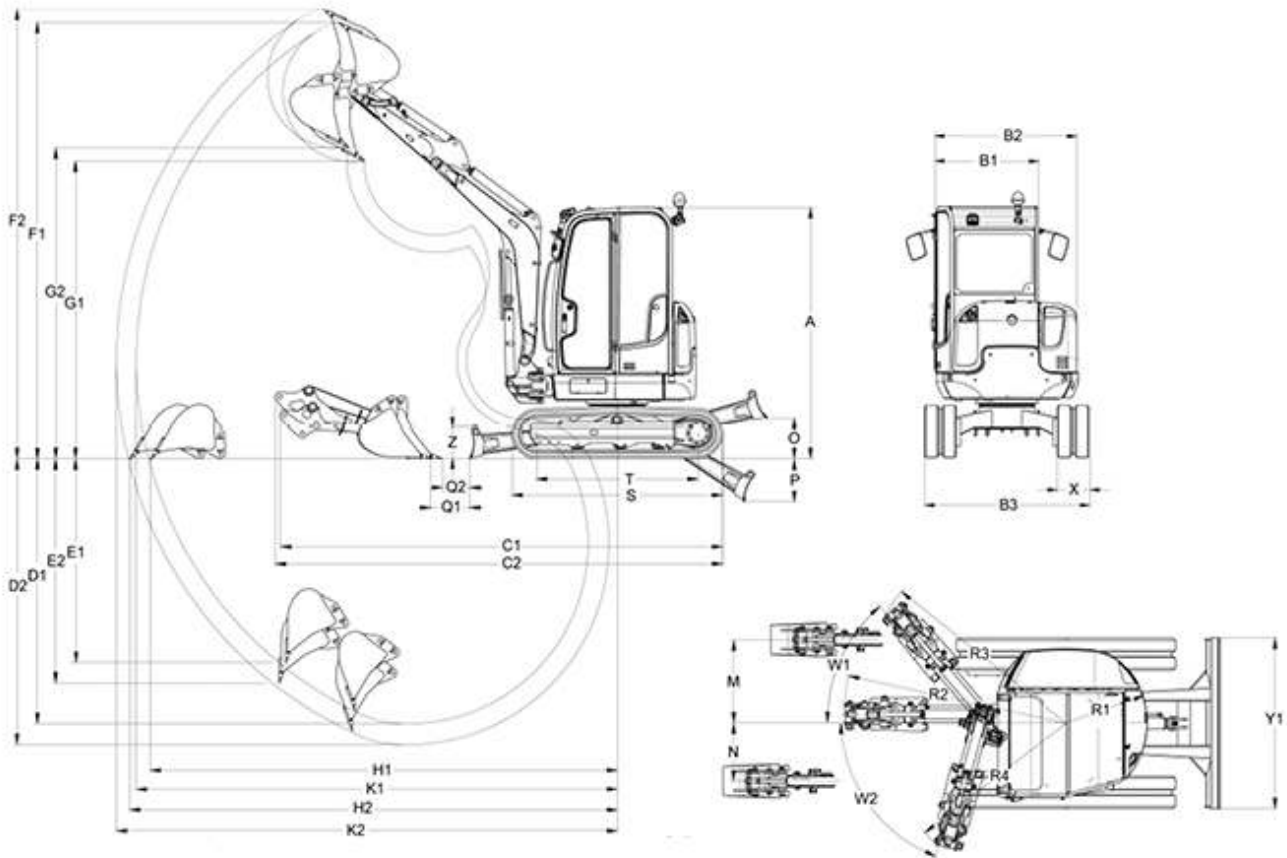
Width	1,570 mm
Height	290 mm
Stroke max., above ground	380 mm
Stroke max., below ground	419 mm

Sound level

Sound level (LwA) acc. to 2000/14/EC	93 dB(A)
--------------------------------------	----------



Dimensions



A	Height	2,405 mm
B1	Width of the cabin	980 mm
B2	Width of the revolving superstructure	1,340 mm
B3	Width of the undercarriage	1,570 mm
C1	Transport length (short dipper arm)	4,270 mm
C2	Transport length (long dipper arm)	4,290 mm
D1	Digging depth Max. (short dipper arm)	2,540 mm
D2	Digging depth Max. (long dipper arm)	2,740 mm
E1	Insertion depth Max. vertical (short dipper arm)	1,960 mm
E2	Insertion depth Max. vertical (long dipper arm)	2,150 mm
F1	Insertion height Max. (short dipper arm)	4,180 mm
F2	Insertion height Max. (long dipper arm)	4,310 mm
G1	Dumping height Max. (short dipper arm)	2,850 mm



G2	Dumping height Max. (long dipper arm)	2,980 mm
K1	Digging radius Max. (short dipper arm)	4,630 mm
K2	Digging radius Max. (long dipper arm)	4,820 mm
H1	Range Max. ground coverage (short dipper arm)	4,490 mm
H2	Range Max. ground coverage (long dipper arm)	4,690 mm
R1	Rear swivel radius Min.	760 mm
M	Arm displacement Max. boom offset to center of bucket, right side	765 mm
N	Arm displacement Max. boom offset to center of bucket, left side	535 mm
O	Lift height Max. of dozer blade above subgrade	390 mm
P	Scraping depth Max. of the dozer blade below subgrade	410 mm
W1	Turning angle Max. of the arm system to the right	50 °
W2	Turning angle Max. of the arm system to the left	75 °
Q1	Distance of bucket dozer blade (short dipper arm)	360 mm
Q2	Distance of bucket dozer blade (long dipper arm)	265 mm
R2	Boom slewing radius center	2,080 mm
R3	Boom slewing radius right	1,960 mm
R4	Boom slewing radius left	1,660 mm
S	Length Total traveling gear	2,020 mm
T	Length Traveling gear length of the sprocket guide wheel	1,550 mm
X	Chain width	300 mm
Y1	Width Dozer blade	1,570 mm
Z	Height Dozer blade	300 mm

Please note

that product availability can vary from country to country. It is possible that information / products may not be available in your country. More detailed information on engine power can be found in the operator's manual; the stated power may vary due to specific operating conditions.

Subject to alterations and errors excepted. Applicable also to illustrations.

Copyright © 2015 Wacker Neuson SE.