



TH 408
Telehandler



Quite large, even in the smallest space: TH408

With the compact TH408, you are getting the smallest telehandler on the market. 800 kg payload and over 4 meters of lifting height open up application areas that will inspire you. The all-wheel steering and its compact design make the TH408 extremely maneuverable so that stacking and transport work can be quickly and safely managed, even in the smallest space – for example in narrow alleys or high bay warehouses.

- Innovative driver-assist system VLS (Vertical Lift System)
- Low installation height and width under 2 x 2 meters
- Extremely small inside radius of 595 mm.
- Over 4 meters lifting height
- Easy to transport on a trailer



Technical specifications

Operating data

Weight	2,270 kg
Turning radius Tires	2,227 mm

Engine / Motor

Engine / Motor manufacturer	Yanmar
Engine performance at 3,000 rpm	19.2 kW

Power transmission

Traction drive	hydrostatic
Speed Stage 1:	0-7 km/h
Speed Stage 2:	0-17 km/h
Service brake central	Parking brake on all four wheels effective
Standard tires	27x10.0-15 AS ET20

Steering and operating hydraulics

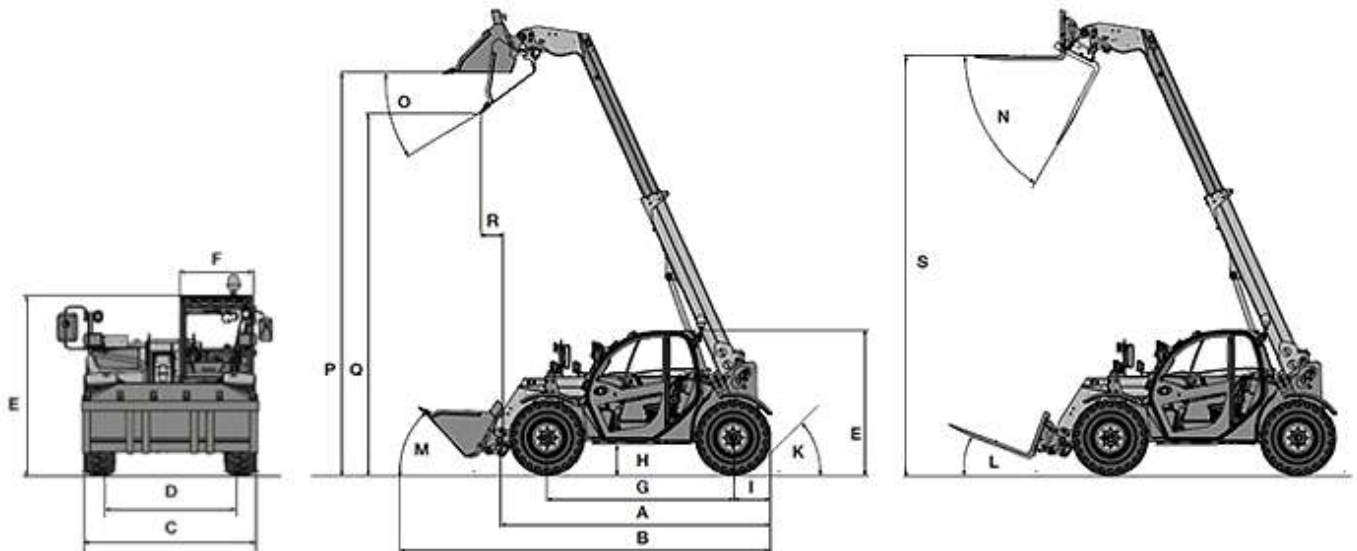
Steering angle max.	2x38 °
Flow rate	33 l/min

Kinematics

Payload max.	800 kg
Lift height Pin height	4,145 mm



Dimensions



A	Length incl. tool frame	2,717 mm
B	Length with standard bucket	3,554 mm
C	Width max.	1,413 mm
D	Track width	1,252 mm
E	Height	1,900 mm
G	Wheelbase	1,796 mm
H	Ground clearance	223 mm
I	Center of rear axle to end of vehicle	343 mm
M	Tilt-in angle Standard bucket below	44 °
P	Overhead loading height	3,799 mm
Q	Dumping height	2,244 mm
R	Dump reach	533 mm



**WACKER
NEUSON**

Please note

that product availability can vary from country to country. It is possible that information / products may not be available in your country. More detailed information on engine power can be found in the operator's manual; the stated power may vary due to specific operating conditions. Subject to alterations and errors excepted. Applicable also to illustrations.
Copyright © 2015 Wacker Neuson SE.