



DW50
Wheel Dumpers



Professional material handling – agile, fast and effective.

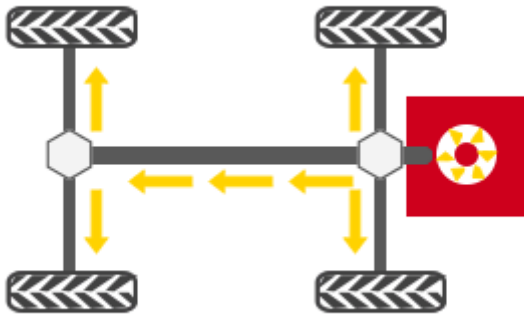
Compact dimensions provide the agility of the 3-5 tons class. The DW50 can easily compete with the big ones: an innovative concept of cockpit and driver stand including joystick controls, spring-loaded parking brake and many other well thought out details provide highest ease of use. The payload of 5.000 kg and a driving speed of up to 28 km/h make the DW50 an effective workhorse that can handle lots of material quickly and easily.

- powerful level 3b (Tier IV final) turbo diesel engine: meets future-proof all emission directives
- efficient hydrostatic all-wheel drive with ECO mode for reduced fuel consumption
- large servicing and maintenance access: one-piece flip-up engine hood
- articulated steering with well-protected integrated hose guiding
- up to 28 km/h driving speed for rapid transportation tasks



Hydrostatic all-wheel drive

- total focus on the job, no busy shifting of gears
- one central hydraulic engine drives both axles via a cardan shaft
- hydrostatic braking effect as soon as the foot is taken off the accelerator pedal
- low-wear drive for reduced service and maintenance costs
- controlled delay for regulated switching, thus no abrupt change of drive
- accelerate from 0 to maximum speed of 28km/h without traction loss



Articulated pendulum joint

- supreme off-road capability even under full load
- optimum ground contact and excellent traction in rough terrain





Joystick control

- All controls such as switches and joysticks are placed on the right side so the operator's left hand can always remain on the steering wheel.
- Multiple functions - one handle: the joystick controls skip operation, gear shift, change of direction and the ECO mode.

Maximum safety combined with premium comfort



Full public traffic vehicle lighting.



Back-up alarm: an acoustic alarm signals when the drive is in reverse gear.



A camera and display minimize the blind spot in front of the vehicle, thus ensuring even more safety.



A rotating beacon enhances the vehicle's visibility.



Seat contact control switch: If the driver leaves the driver's seat, the engine reduces speed to full stop.

Swivel tip skip



The 180° seamless tip-out capability allows the swivel tip skip to deliver materials right on the spot – ideal in narrow spaces.

- When transporting liquids on slopes, the skip can be leveled accordingly
- Swivels 90° to the left and 90° to the right
- Enables lateral filling and discharging.



DW50 Technical specifications

with swivel tip skip

Operating data

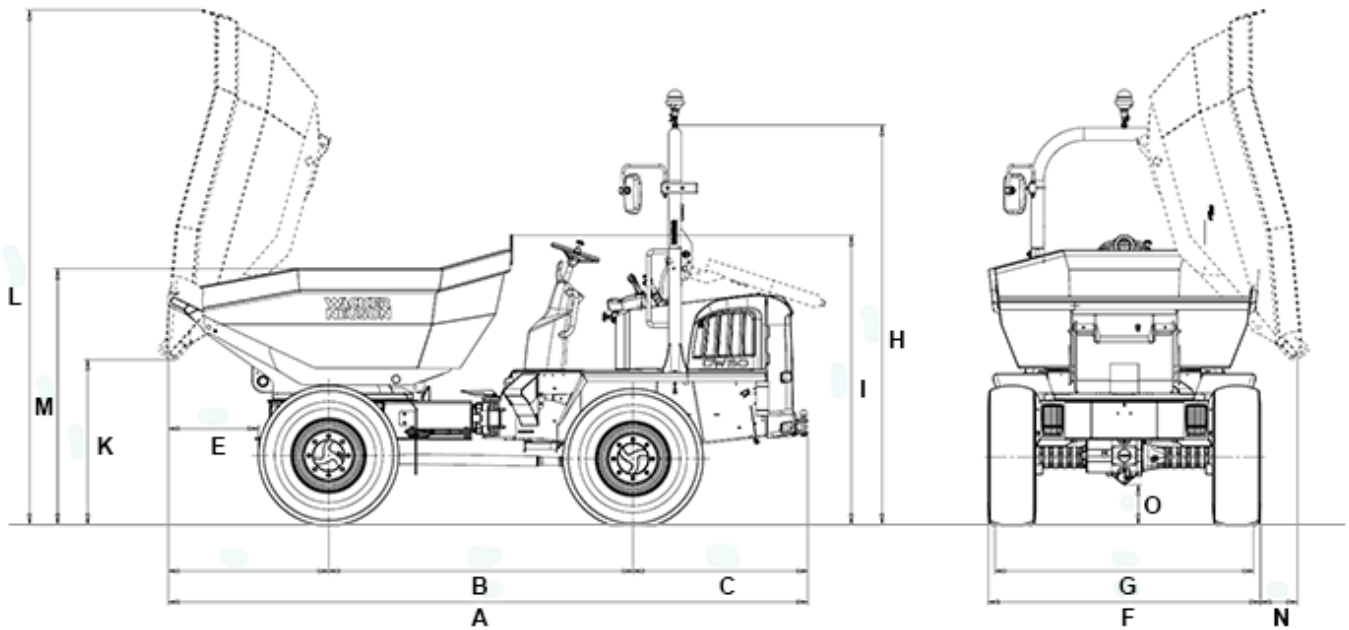
Payload	5,000 kg
Shipping weight ROPS	3,445 kg
Skip capacity struck	1,970 l
Skip capacity heaped	2,650 l
Skip capacity water volume	1,280 l

Engine / Motor

Engine / Motor manufacturer	Deutz
Engine / Motor type	TCD 2.9
Engine performance acc. to ISO 3046/1	55.4 kW
Displacement	2,925 cm ³
Engine RPM	2300 rpm
Travel speed Option	28 km/h
Travel speed	25 km/h
Articulation angle	37 °
Pendulum angle	15 °
Turning radius	4,250 mm
Gradeability	50 %
Tires	12.5 - 18/16
L x W x H	4495 x 1915 x 2815 mm
Steering pump	Axial piston pump
Flow rate	132 l/min
Operating pressure	450 bar
Duty pump	Gear pump
Flow rate	45 l/min
Operating pressure	220 bar
Fuel tank capacity	50 l
Sound level (LwA)	101 dB(A)



DW50 Dimensions



A	Overall length	4,495 mm
B	Wheelbase	2,140 mm
C	Rear overhang	1,230 mm
E	Dumping distance	630 mm
F	Width	1,915 mm
G	Skip width	1,910 mm
H	Height ROPS	2,815 mm
I	Height ROPS down	2,030 mm
K	Dump height max.	1,160 mm



**WACKER
NEUSON**
all it takes!

L	Skip height tilted skip	3,620 mm
M	Skip height	1,790 mm
N	Dumping distance	260 mm
O	Ground clearance	290 mm
--	Dump angle	48 °

Please note

that product availability can vary from country to country. It is possible that information / products may not be available in your country. More detailed information on engine power can be found in the operator's manual; the stated power may vary due to specific operating conditions.

Subject to alterations and errors excepted. Applicable also to illustrations.

Copyright © 2019 Wacker Neuson SE.